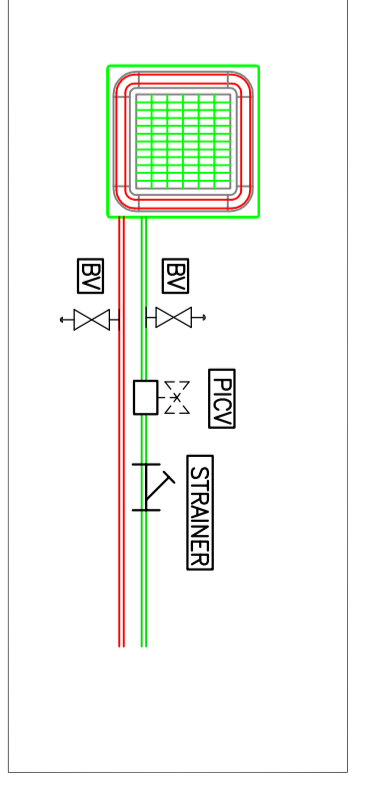


**LEAGEND**

	FULL HT. GLAZED PARTITION (DETAIL DWG NO. - 01 OR 02)
	FULL HT. FLUSH PARTITION (DETAIL DWG NO. - 03 OR 09)
	LOW HT. PARTLY GLAZED PARTITION (DETAIL DWG NO. - 05)
	FULL HT. ACOUSTIC FLUSH PARTITION (DETAIL DWG NO. - 04)
	FOLDING PARTITION



Gujarat Intentional Finance Tec- City Company Ltd. 1.

GFT SEZ United Zonal Facility Center, Block 12, Road 1-D, Zone-1, GFT SEZ Gandhinagar - 382335, India.

Issued for  
Gft city, Canara Bank

**Note -**  
Do not scale drawing  
2. Only Written Dimensions to be Followed.  
3. All dimensions are in mm.

**REVISED FURNITURE LAYOUT PLAN WITH PARTITION DETAIL**

(Sign & Stamp)  
**Applicant**

(Sign & Stamp)  
**Architects & Interior Designer**

Design Engineering Consultant

**SARJAN ARCHITECTS**  
& PROJECT CONSULTANTS

Project Name  
Canara Bank

Drawing Title  
CANARA BANK HVAC LAYOUT

Drawing Number  
INT DWG/FUR001

Date  
27-11-2020

SCALE -1:100